

CONTINUOUSLY VARIABLE ATTENUATORS

DC-250 MHz
Miniature
Models



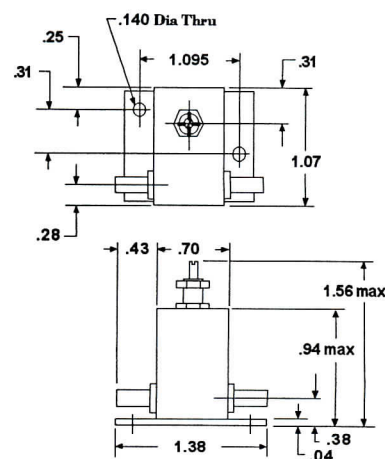
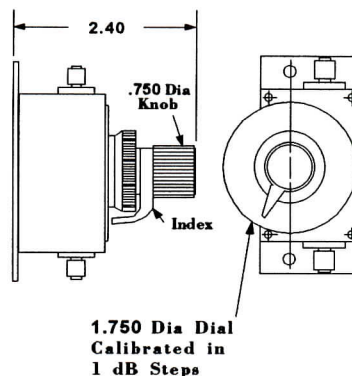
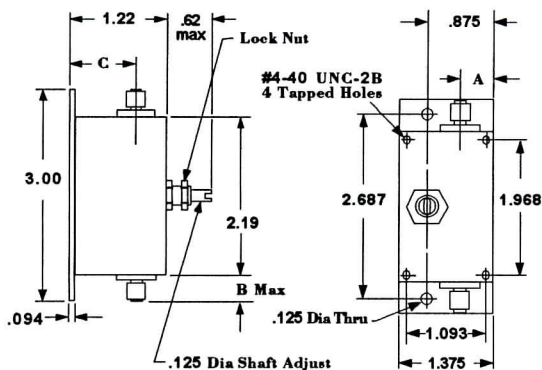
Form 4242



Form 4391



Form 5800



GENERAL SPECIFICATIONS

- Frequency RangeDC-250 MHz
- RF Power1 Watt average
- Nominal Impedance50 Ohms *
- Temperature Range-55° C to +85° C
- ConnectorsSMA Female standard **
- MaterialBody - Aluminum
Brass on Form 5800
- Connectors - MIL-C-39012
- FinishARRA Blue per MIL-C-22750

Dimensions - Inches

Connector	A	B	C
SMA Female	0.47	0.38	0.90
N Female	0.53	0.75	0.79
TNC Female	0.53	0.75	0.81
BNC Female	0.53	0.75	0.81

DIRECTLY CALIBRATED MODELS

Freq Range (MHz)	Atten Range (dB)	Atten vs Freq (± dB)	VSWR (Max)	Ins Loss (Max dB)	Form Factor	Model No.
DC - 100	15	0.3	1.3	0.5	4391	0682-15F
DC - 250	10	0.5	1.5	1.0	4391	0682-10F

UNCALIBRATED MODELS

Freq Range (MHz)	Atten Range (dB)	Atten vs Freq (± dB)	VSWR (Max)	Ins Loss (Max dB)	Form Factor	Model No.
DC - 100	20	0.6	1.3	0.5	4242	0682-20
DC - 100	20	1.5	1.3	0.6	5800	0683-20
DC - 250	15	1.5	1.5	1.0	4242	0682-15
DC - 250	15	4.0	1.5	1.2	5800	0683-15

* For 75 Ohms impedance, suffix model number with -75. Ex: TNC0682-15F-75

** Type N, BNC & TNC available. Precede model number with type desired. Ex: TNC0682-15F