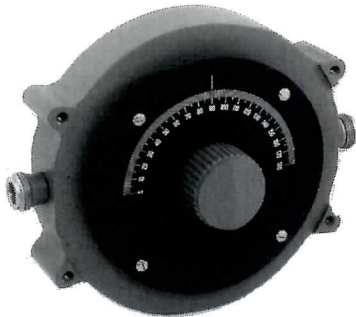


CONTINUOUSLY VARIABLE ATTENUATORS

0.5 - 4.0 GHz
Models
5" Dia



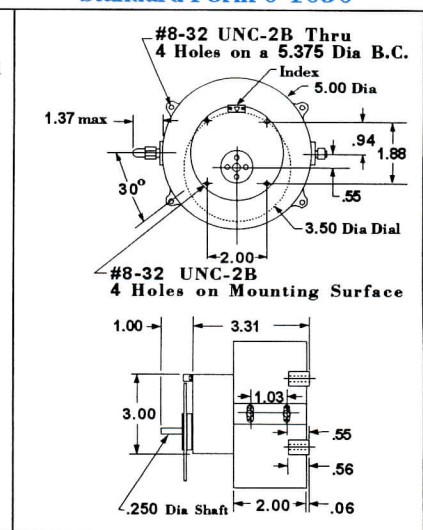
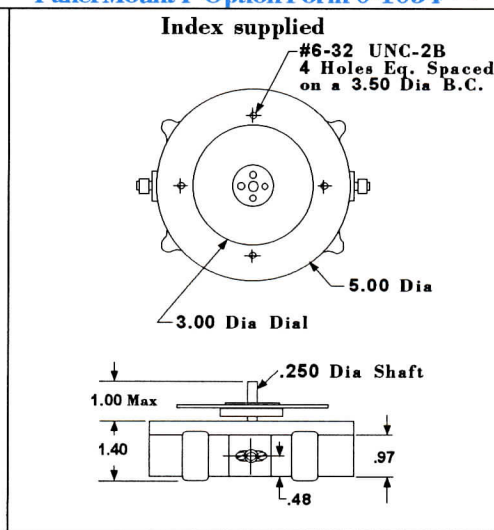
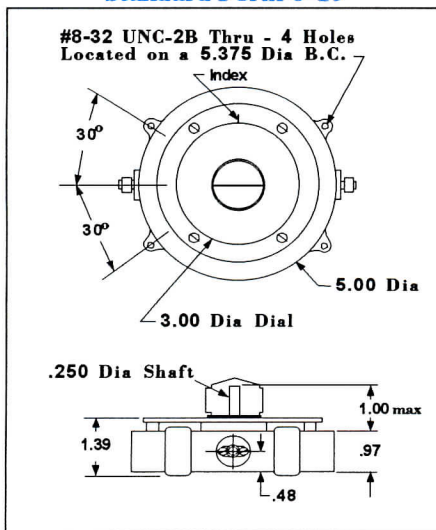
Standard Form 0-19



Panel Mount P Option Form 0-1034 **



Standard Form 0-1030



Note: Knob supplied with all units

GENERAL CHARACTERISTICS

Direct Reading Models are furnished with dials individually calibrated in 1 dB increments. These units are flat with frequency.

Level Set Models are supplied with dials in degrees for reference. These units do not have attenuation vs frequency specifications. All level set models can be directly calibrated at a spot frequency; contact factory.

Special Models: Most units are manufactured to customer specifications. Accuracies can be quoted for your exact attenuation range and frequency band; contact factory.

- Low insertion loss:
 - 0.5 dB max for models up to 60 dB
 - 1.0 dB max for models above 60 dB
- Counter clockwise rotation increases loss
- Stops at low and high loss positions
- Material:
 - Body - Aluminum
 - Connectors - Stainless Steel
- Finish: ARRA Blue per Mil-C-22750
- 0.1 dB or better resettability
- 10 Watts average power, 5 kW peak
- Type N or SMA female connectors
- Low VSWR - 1.50 max
- Non - contacting
- Optional dial lock on P version (Form 6921) Precede model number with L

