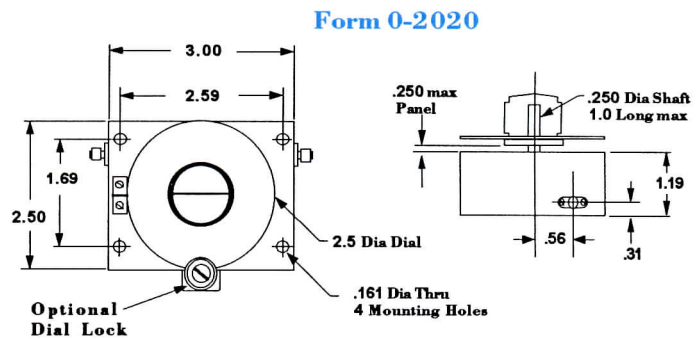
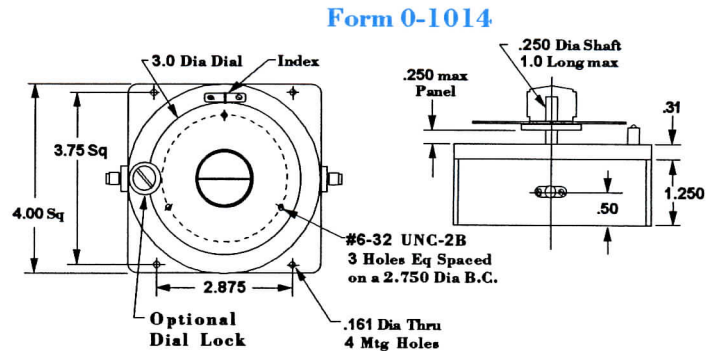


CONTINUOUSLY VARIABLE ATTENUATORS

High Power
50 Watts Avge
8 kW Peak



GENERAL SPECIFICATIONS

- Frequency bands from 925 - 18000 MHz
- Continuously variable for all values of attenuation
- Many models exhibit flat attenuation vs frequency characteristics
- Type N or SMA female connectors are standard
- Non - contacting
- Insertion Loss 0.5 dB max
- VSWR 1.50 max
- Directly calibrated models
- Material:
 - Body - Aluminum
 - Connectors - Stainless Steel
- Finish: ARRA Blue per MIL-C-22750
- Dial locking option available

Freq Range (GHz)	Atten Range (dB)	Atten vs Freq (±dB) *	RF Power (Avge W)	Form Factor	Model No. **
.925-1.225	15	0.75	50	0-1014	2-3617-15A
1.0-2.0	10	1.0	50	0-1014	3617-10F
	20	N/A	50	0-1014	3617-20
2.0-4.0	10	0.75	50	0-1014	4616-10X
	20	N/A	50	0-1014	4617-20X
4.0-8.0	10	N/A	20	0-2020	5617-10
	20	N/A	20	0-2020	5617-20
8.0-12.4	10	1.0	20	0-2020	6617-10
	20	1.5	20	0-2020	6617-20
8.0-18.0	10	2.0	20	0-2020	6-9617-10S***
	20	2.5	20	0-2020	6-9617-20S***
12.4-18.0	10	1.0	20	0-2020	9617-10S***
	20	1.5	20	0-2020	9617-20S***

* Units with attenuation vs frequency specifications are supplied with direct-reading dials calibrated in 1 dB increments. Other models marked N/A are supplied with 180° dials for reference only.

** Model numbers indicate Type N connectors. To specify SMA connectors, suffix model number with S. To specify dial-locking option, precede model number with L. Ex: L5617-10S

*** Available with SMA connectors only.