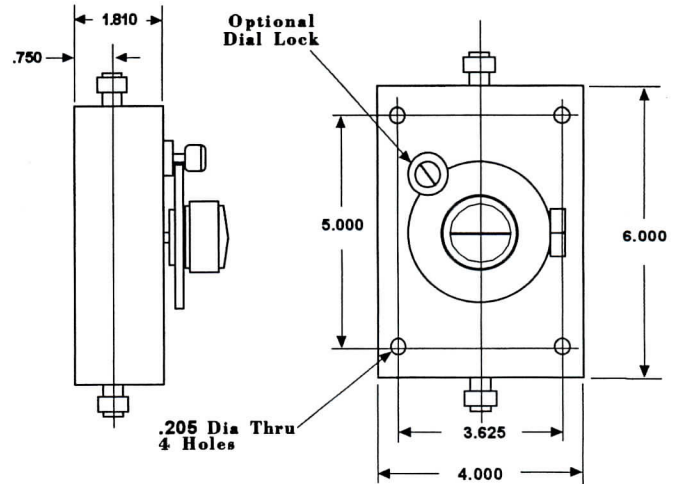
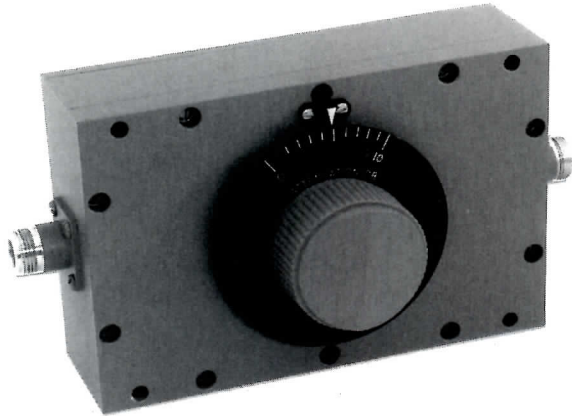


**HIGH POWER  
DIRECTLY CALIBRATED MODELS**



**Form 0-2266**

**GENERAL SPECIFICATIONS**

- Frequency bands from 500 - 4000 MHz
- Continuously variable for all values of attenuation
- Many models exhibit flat attenuation vs frequency characteristics
- Type N or SMA female connectors are standard
- Non-contacting
- Insertion Loss 0.5 dB max
- VSWR 1.50 max
- Directly calibrated models
- Material:
  - Body - Aluminum
  - Connectors - MIL-C-39012
- Finish: ARRA Blue per MIL-C-22750 (50 Watt models) or High Temp Black (100 Watt models)

Freq Range (GHz)	Atten Range (dB)	Atten vs Freq ( $\pm$ dB) *	RF Power ** (Avge W)	Form Factor	Model No.***
0.5 - 1.0	10	N/A	50	00-2266	2484-10
	15	0.5	50	00-2266	2-3484-15A
	30	N/A	50	00-2266	2-3484-30A
1.0 - 2.0	10	1.0	50	00-2266	3484-10
	20	N/A	50	00-2266	3484-20
	30	N/A	50	00-2266	3484-30
2.0 - 4.0	10	0.75	50	00-2266	4484-10
	20	N/A	50	00-2266	4484-20
	30	N/A	50	00-2266	4484-30

\* Units with attenuation vs frequency specifications are supplied with direct-reading dials calibrated in 1 dB increments. Other models marked N/A are supplied with 180° dials for reference only.

\*\* All 50 Watt models can be modified to handle 100 Watts. For this option, precede model number with H.

\*\*\* Model numbers indicate Type N connectors. To specify SMA connectors, suffix model number with S. For dial lock option, precede model number with L. Ex: L2487-10 or HL2487-10 for 100 Watt version.