

BROADBAND MINIATURE STRIPLINE DIRECTIONAL COUPLERS

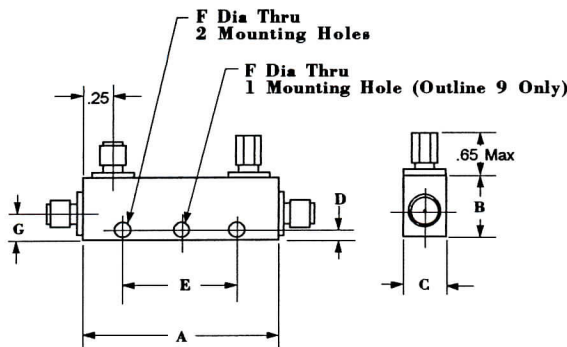
SMA

GENERAL SPECIFICATIONS

RF Power 50 Watts average
3 kW peak
Connectors SMA Female
Material :
Body Aluminum
Connectors MIL-C-39012
Finish :
Connectors Passivated
Body ARRA Blue per
MIL-C-22750



Form 0-3249



SMA Dimensions - Inches

Outline	A	B	C	D	E	F	G
1	3.60	0.53	0.38	0.075	2.600	0.104	0.22
2	3.60	0.60	0.38	0.075	2.600	0.104	0.22
3	2.90	0.68	0.38	0.150	2.000	0.149	0.34
4	2.90	0.60	0.38	0.075	2.000	0.104	0.22
5	1.78	0.68	0.38	0.150	0.875	0.149	0.34
6	1.88	0.60	0.38	0.075	1.000	0.104	0.22
7	1.22	0.55	0.38	0.075	0.375	0.104	0.22
8	1.22	0.60	0.38	0.075	0.375	0.104	0.22
9	1.00	0.50	0.38	0.075	-	0.104	0.22
10	4.40	0.60	0.38	0.075	3.400	0.104	0.24
11	3.47	0.70	0.38	0.100	2.000	0.104	0.26
12	3.47	0.70	0.50	0.100	2.000	0.104	0.26
13	2.10	0.70	0.38	0.100	1.000	0.104	0.26
14	2.09	0.70	0.50	0.100	1.000	0.104	0.26
15	1.36	0.60	0.38	0.090	0.500	0.104	0.26
16	1.36	0.66	0.38	0.090	0.500	0.104	0.26

Frequency Range (GHz)	Coupling * (dB)	Frequency Sens (±dB)	Directivity (Min dB)	VSWR (Max)		Ins Loss (Max dB) **	Outline	Model No.
				Prim	Sec			
0.5-2.0	6	0.75	23	1.20	1.20	0.40	1	2-3174-6
	10 ±1.0						1	2-3174-10
	20						2	2-3174-20
0.6-4.0	10 ±1.0	0.75	18	1.25	1.30	0.40	10	2-4174-10
1.0-4.0	6	0.50	23	1.20	1.20	0.40	3	3-4174-6
	10 ±1.0						3	3-4174-10
	20						4	3-4174-20
2.0-8.0	6	0.30	20	1.25	1.25	0.40	5	4-5174-6
	10 ±1.0	0.30					5	4-5174-10
	20	0.40					6	4-5174-20
4.0-12.4	6	0.30	17	1.30	1.30	0.50	7	5-6174-6
	10 ±1.0	0.30					7	5-6174-10
	20	0.40					8	5-6174-20
1.0-18.0 ***	10	0.50	15 to 12.4 GHz	1.40	1.50	0.90	11	3-9174-10
	16 ±1.0		12 to 18.0 GHz				12	3-9174-16
	20						12	3-9174-20
2.0-18.0 ***	6	0.50	15 to 12.4 GHz	1.35	1.50	0.90	13	4-9174-6
	10 ±1.0		12 to 18.0 GHz				13	4-9174-10
	16 ±1.0						14	4-9174-16
	20						14	4-9174-20
4.0-18.0 ***	6	0.50	15 to 12.4 GHz	1.40	1.40	0.90	15	5-9174-6
	10 ±1.0		12 to 18.0 GHz				15	5-9174-10
	20						16	5-9174-20
7.0-18.0 ***	10 ±1.25	0.75	15	1.35	1.40	0.60	9	6-9174-10

* Includes frequency sensitivity.

** Excludes coupled power.

*** RF Power is 25 Watts.

Note: Units are available with Type N Female adapted connectors. Precede model number with N. Ex: N5-6174-6