

MINIATURE STRIPLINE DIRECTIONAL COUPLERS

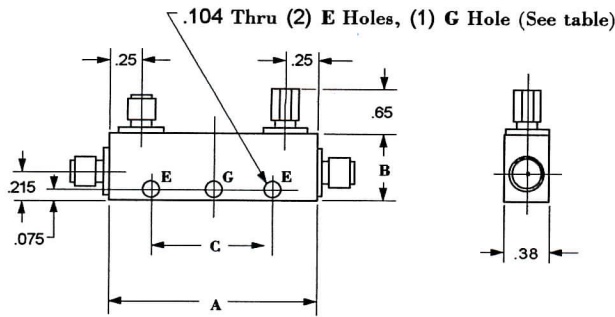
SMA

GENERAL SPECIFICATIONS

RF Power50 Watts average
3 kW peak
ConnectorsSMA Female
Material :
BodyAluminum
ConnectorsMIL-C-39012
Finish :
ConnectorsPassivated
BodyARRA Blue per
MIL-C-22750



Form 0-3190



SMA Dimensions - Inches

Outline	A	B	C	Mtg Holes
1	3.10	0.50	1.50	E
2	3.10	0.55	1.50	E
3	1.78	0.50	0.94	E
4	1.78	0.55	0.94	E
5	1.16	0.50	0.34	E
6	1.16	0.55	0.34	E
7	1.00	0.50	-	G
8	1.00	0.55	-	G
9	1.00	0.60	-	G

Frequency Range (GHz)	Coupling * (dB)	Directivity (Min dB)	VSWR (Max)		Ins Loss ** (Max dB)	Outline	Model No.
			Prim	Sec			
0.5-1.0	6	25	1.15	1.15	0.20	1	2194-6
	10 ±1.25					1	2194-10
	20					1	2194-20
	30					2	2194-30
1.0-2.0	6	25	1.15	1.15	0.20	3	3194-6
	10 ±1.25					3	3194-10
	20					3	3194-20
	30					4	3194-30
2.0-4.0	6	22	1.15	1.15	0.20	5	4194-6
	10 ±1.25					5	4194-10
	20					5	4194-20
	30					6	4194-30
2.6-5.2	6	20	1.25	1.25	0.20	7	4-5194-6
	10 ±1.25					7	4-5194-10
	20					7	4-5194-20
	30					8	4-5194-30
4.0-8.0	6	20	1.25	1.25	0.20	7	5194-6
	10 ±1.25					7	5194-10
	20					7	5194-20
	30					8	5194-30
7.0-12.4	6	17	1.30	1.30	0.40	7	6194-6
	10 ±1.00					7	6194-10
	20					7	6194-20
	30					8	6194-30
7.5-16.0	6	15	1.40	1.40	0.50	7	6-9194-6
	10 ±1.25					7	6-9194-10
	20					9	6-9194-20
	30					9	6-9194-30
12.4-18.0	6	15	1.30	1.40	0.50	7	9194-6
	10 ±1.00					7	9194-10
	20					9	9194-20
	30					9	9194-30

* Coupling variation includes frequency sensitivity.

** Excludes coupled power.