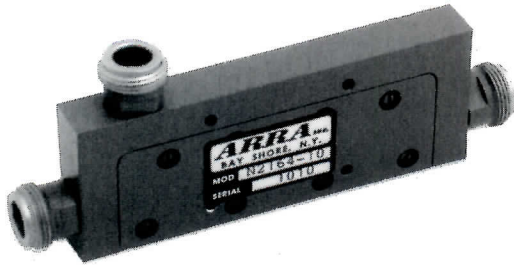
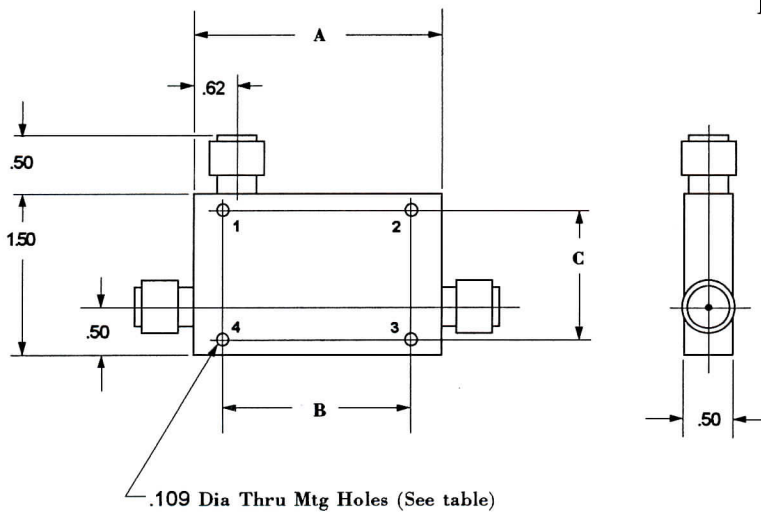


TYPE N DIRECTIONAL COUPLERS



Form 0-2860



GENERAL SPECIFICATIONS

- Coupling Variation ±1.0 dB max
- RF Power 50 Watts average
3 kW peak
- Connectors Type N Female
- Material :
 - Body Aluminum
 - Connectors MIL-C-39012
- Finish :
 - Connectors Passivated
 - Body ARRA Blue per MIL-C-22750

Type N Dimensions - Inches

Outline	A	B	C	Mtg Holes
1	6.47	3.75	1.00	1,2,3,4
2	3.88	1.38	1.00	1,2,3,4
3	2.73	1.80	1.30	2,4
4	1.99	1.12	1.30	2,4

Frequency Range (GHz)	Coupling * (dB)	Directivity (Min dB)	VSWR (Max)		Ins Loss ** (Max dB)	Outline	Model No.
			Prim	Sec			
0.25-0.5	10	20	1.15	1.15	0.20	1	N1164-10 N1164-20 N1164-30
	20						
	30						
0.5-1.0	10	20	1.15	1.15	0.20	2	N2164-10 N2164-20 N2164-30
	20						
	30						
1.0-2.0	10	20	1.15	1.15	0.20	3	N3164-10 N3164-20 N3164-30
	20						
	30						
2.0-4.2	10	20	1.25	1.25	0.20	4	N4164-10 N4164-20 N4164-30
	20						
	30						
2.6-5.2	10	18	1.30	1.30	0.30	4	N4-5164-10 N4-5164-20 N4-5164-30
	20						
	30						
4.0-8.0	10	17	1.30	1.30	0.40	4	N5164-10 N5164-20 N5164-30
	20						
	30						

* Coupling variation includes deviation from nominal and frequency sensitivity.

** Excludes coupled power.