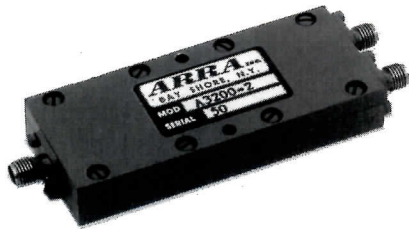


SMA 2-WAY POWER DIVIDERS / COMBINERS

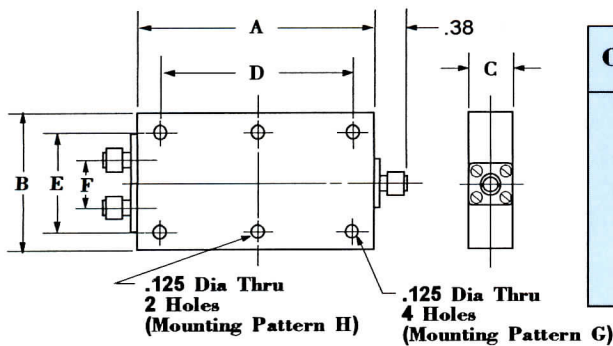
In Phase



GENERAL SPECIFICATIONS

Frequency Bands0.005 to 18.0 GHz
 RF Power *20 Watts average, 1 kW peak
 (Load VSWR 1.3)
 ConnectorsSMA Female
 Material:
 BodyAluminum
 ConnectorsMIL-C-39012
 FinishARRA Blue per MIL-C-22750

Form 0-3321



SMA Dimensions - Inches

Outline	A	B	C	D	E	F	Mtg
1	1.50	1.50	0.50	1.250	1.250	0.72	G
2	4.50	2.50	0.50	4.250	2.250	1.62	G
3	3.05	1.29	0.50	-	1.050	0.64	H
4	1.50	1.00	0.50	-	0.750	0.50	H
5	3.50	1.38	0.50	1.750	1.000	0.88	G
6	2.00	1.50	0.50	1.750	1.250	0.63	G
7	0.94	1.05	0.38	-	0.790	0.50	H

OCTAVE BAND & MULTI-OCTAVE BAND SMA MODELS

Frequency Range (GHz)	Isolation (Min dB)	VSWR (Max)	Ins Loss (Max dB)	Amplitude Bal (±dB)	Phase Bal (±Deg)	Outline	Model No.
0.005-0.5	23	1.30	0.5	0.2	2	1	0200-2
0.5-1.0	20	1.20	0.3	0.2	2	2	2200-2
1.0-2.0	20	1.25	0.3	0.2	3	3	A3200-2
0.75-4.0	20	1.40	0.3	0.2	3	3	2-4200-2
1.0-4.0	20	1.30	0.3	0.2	3	3	3-4200-2
2.0-4.0	20	1.30	0.3	0.2	3	4	A4200-2
4.0-8.0	18	1.60	0.6	0.2	3	6	5200-2
1.0-8.0	17	1.50	1.0	0.3	4	5	A3-5200-2
8.0-12.4	16	1.60	0.6	0.2	4	7	B6200-2
12.4-18.0	16	1.60	1.0	0.5	6	7	B9200-2
8.0-18.0	16	1.60	1.0	0.5	6	7	A6-9200-2

SPECIAL NARROW BAND SMA MODELS

Frequency Range (GHz)	Isolation (Min dB)	VSWR (Max)	Ins Loss (Max dB)	Amplitude Bal (±dB)	Phase Bal (±Deg)	Outline	Model No.
0.75-1.4	20	1.3	0.3	0.15	1	3	A2200-2X
0.9-1.3	23	1.3	0.3	0.20	2	3	A2200-2Y
2.0-2.5	20	1.2	0.3	0.20	2	4	A4200-2X
3.7-4.2	20	1.3	0.3	0.20	3	4	A4200-2Y
3.7-6.4	20	1.5	0.5	0.20	3	6	5200-2X
5.4-5.9	20	1.3	0.5	0.20	3	6	5200-2Y
5.7-6.5	20	1.3	0.5	0.20	3	6	5200-2Z
7.2-8.4	18	1.5	0.5	0.20	3	7	A6200-2X
9.0-10.5	18	1.5	0.6	0.20	3	7	A6200-2Y
12.0-14.0	16	1.5	0.6	0.20	3	7	A9200-2X
14.0-14.5	16	1.5	1.0	0.20	6	7	A9200-2Y
14.0-15.5	16	1.5	1.0	0.20	6	7	A9200-2Z
16.0-17.0	16	1.6	1.2	0.30	6	7	B9200-2AA

* This RF power rating assumes all ports are matched. The internal resistors are rated for 0.5 Watts, 1.5 Watts on Model 0200-2.