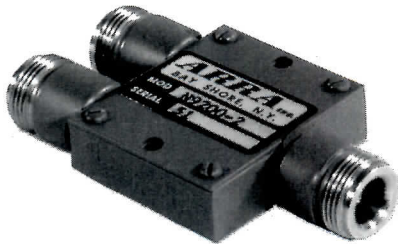


# TYPE N 2-WAY POWER DIVIDERS / COMBINERS

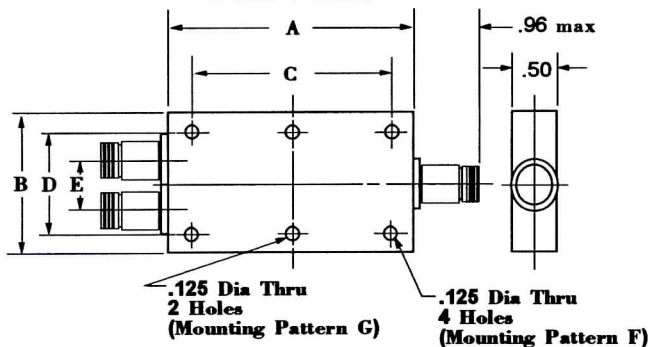
In Phase



## GENERAL SPECIFICATIONS

Frequency Bands .....0.005 to 18.0 GHz  
 RF Power \* .....20 Watts average, 1 kW peak  
 (Load VSWR 1.3)  
 Connectors .....Type N Female  
 Material:  
 Body .....Aluminum  
 Connectors .....MIL-C-39012  
 Finish .....ARRA Blue per MIL-C-22750

Form 0-3325



Type N Dimensions - Inches

Outline	A	B	C	D	E	Mtg
1	2.22	2.00	1.970	1.750	0.84	F
2	4.88	2.50	3.188	2.250	1.62	F
3	3.97	2.00	3.720	1.750	1.12	F
4	2.97	2.00	2.720	1.750	1.00	F
5	2.31	2.00	2.062	1.750	1.00	F
6	1.02	1.65	-	1.375	0.88	G

## OCTAVE BAND & MULTI-OCTAVE BAND TYPE N MODELS

Frequency Range (GHz)	Isolation (Min dB)	VSWR (Max)	Ins Loss (Max dB)	Amplitude Bal (±dB)	Phase Bal (±Deg)	Outline	Model No.
0.005-0.5	23	1.30	0.5	0.2	2	1	N0200-2
0.5-1.0	20	1.20	0.3	0.2	2	2	N2200-2
1.0-2.0	20	1.25	0.3	0.2	3	3	N3200-2
2.0-4.0	20	1.30	0.3	0.2	3	4	N4200-2
4.0-8.0	18	1.60	0.6	0.2	3	5	N5200-2
8.0-12.4	16	1.60	0.6	0.2	4	6	AN6200-2
12.4-18.0	15	1.95	0.9	0.5	4	6	AN9200-2
8.0-18.0	13	1.95	0.9	0.5	4	6	AN6-9200-2

## SPECIAL NARROW BAND TYPE N MODELS

Frequency Range (GHz)	Isolation (Min dB)	VSWR (Max)	Ins Loss (Max dB)	Amplitude Bal (±dB)	Phase Bal (±Deg)	Outline	Model No.
0.7-1.4	20	1.2	0.3	0.15	1	3	N2200-2X
0.9-1.3	23	1.2	0.3	0.20	2	3	N2200-2Y
2.0-2.5	20	1.2	0.3	0.20	2	4	N4200-2X
3.7-4.2	20	1.3	0.3	0.20	3	4	N4200-2Y
3.7-6.4	20	1.5	0.5	0.20	3	5	N5200-2X
5.4-5.9	20	1.3	0.5	0.20	3	5	N5200-2Y
5.7-6.5	20	1.3	0.5	0.20	3	5	N5200-2Z
7.2-8.4	17	1.5	0.5	0.20	3	6	AN6200-2X
9.0-10.5	17	1.5	0.6	0.20	3	6	AN6200-2Y
12.0-14.0	15	1.5	0.6	0.20	3	6	AN9200-2X
14.0-14.5	15	1.6	1.0	0.20	4	6	AN9200-2Y
14.0-15.5	14	1.6	1.0	0.20	4	6	AN9200-2Z
16.0-17.0	14	1.7	1.2	0.30	4	6	AN9200-2AA

\* This RF power rating assumes all ports are matched. The internal resistors are rated for 0.5 Watts, 1.5 Watts on Model N0200-2.