

# BROADBAND PHASE SHIFTERS

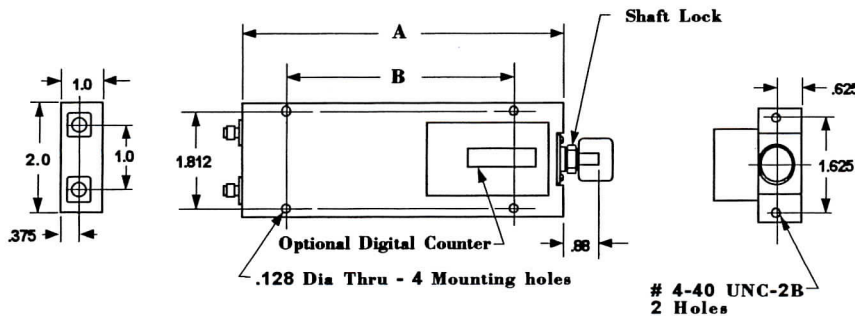
DC-18.0 GHz



**Model 9426A**



**Model D6426E**



Form Factor	
SMA	0-2704
Type N	0-2815

## GENERAL SPECIFICATIONS

Frequency Range	DC-18 GHz	Connectors	SMA Female standard
Phase Adjustment	See below	Control	1/4" Non-Translating Shaft
VSWR (max)	1.3 to 4 GHz	Material:	
	1.5 to 12 GHz	Body	Aluminum
	1.6 to 18 GHz	Connectors	Stainless Steel
Ins Loss (max)	0.5 dB to 8 GHz	Mounting Provisions	4 thru holes 2 tapped holes
	0.75 dB to 12 GHz	Finish	ARRA Blue per MIL-C-22750
	1.0 dB to 18 GHz		
RF Power	100 Watts average 5 kW peak		

Frequency Range (GHz)	Insertion Delay (Approx) nsec	Min Phase Adjustment	Dimensions - Inches		Model No.*
			A	B	
DC-18.0	0.88 min 1.10 max	60°/GHz 360° at 6 GHz	5.50	3.625	9426A
DC-18.0	0.68 min 0.78 max	30°/GHz 180° at 6 GHz	3.75	1.875	9426B
DC-12.0	1.20 min 1.49 max	90°/GHz 540° at 6 GHz	8.00	6.125	6426E

\* To specify Type N connectors, contact factory.  
For calibrated digital readout, precede model number with D. Ex: D9426B  
(Digital Readout in 0.1° increments. Calibration accuracy ±0.7°/GHz)